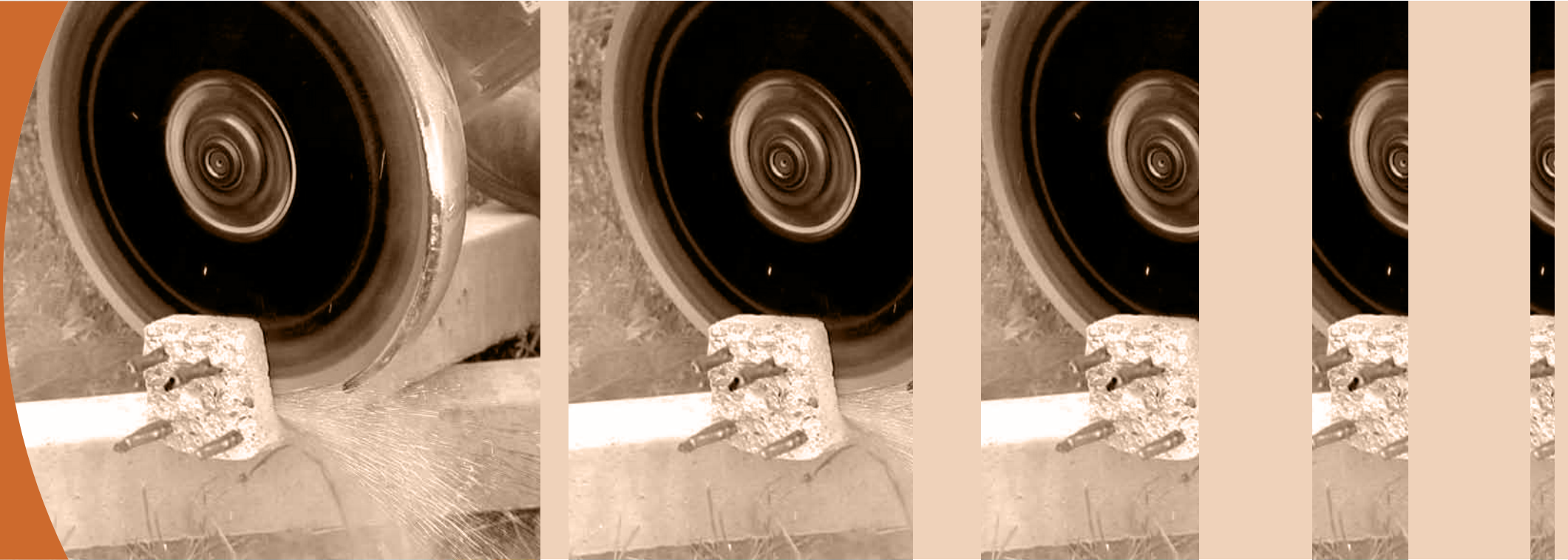


3





| | | | |
|--|------------------|---------------------------------|---------|
|  | 3.1 | Cutting | 94-96 |
|  | 3.2 | Cutting out | 97 |
|  | 3.3 | Grinding | 98 |
|  | 3.4 | Profile grinding | 99 |
|   | 3.5 | Manual cutting-off and grinding | 100-101 |

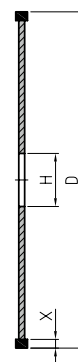
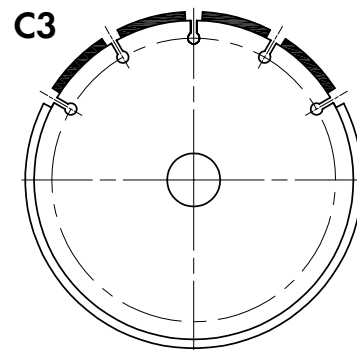
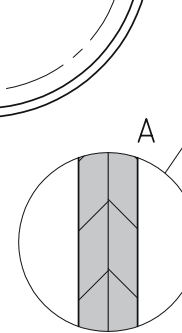
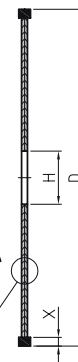
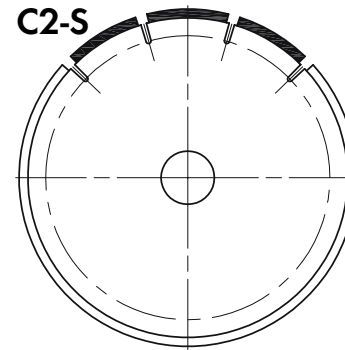
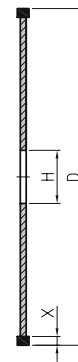
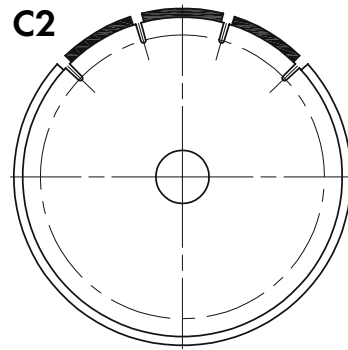
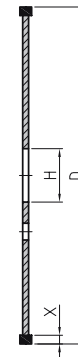
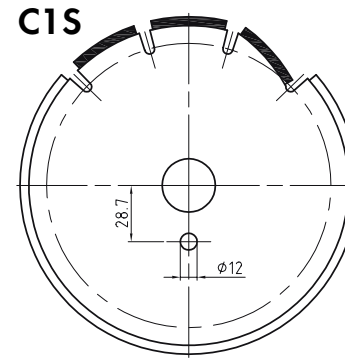
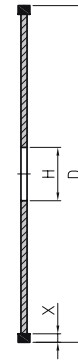
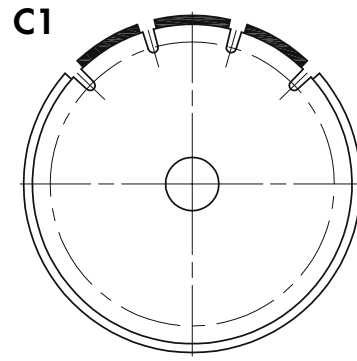
3.1

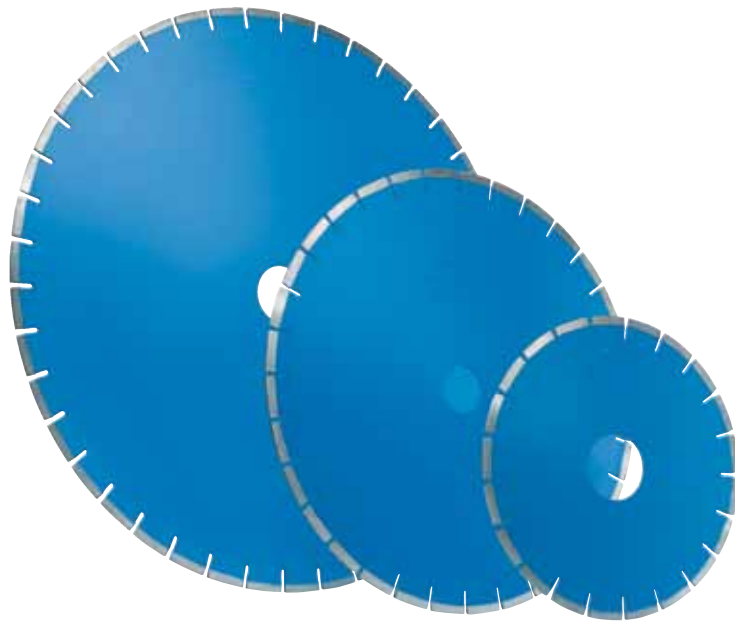
CUTTING



Metal bonded saw blades

C1, C1S
C2, C2-S
C3
 D x X x H





Order printout sample:
Saw blade C1 - concrete
300 x 10 x 30

| WORKPIECE | CUTTING TOOL SHAPE |
|---------------------|--------------------|
| Concrete | C1, C2, C3 |
| Reinforced concrete | C1, C2 |
| Asphalt | C1S |
| Fire clay | C1S |
| Marble | C2, C2-S |
| Granite | C2, C2-S |

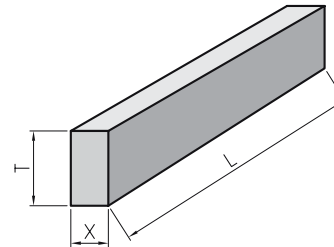
| D | C1 | C1S | C2 | C2-S | C3 | X | H |
|------|----|-----|----|------|----|----|-------------|
| 300 | • | • | • | • | • | 10 | Custom-made |
| 350 | • | • | • | • | • | | |
| 400 | • | • | • | • | • | | |
| 450 | • | • | • | • | • | | |
| 500 | • | • | • | • | • | | |
| 550 | • | • | • | • | | | |
| 600 | • | • | • | • | | | |
| 625 | • | | • | • | | | |
| 650 | • | | • | • | | | |
| 700 | • | | • | • | | | |
| 750 | • | | • | • | | | |
| 800 | • | | • | • | | | |
| 850 | • | | • | • | | | |
| 900 | • | | • | • | | | |
| 1000 | • | | • | • | | | |
| 1100 | | | • | • | | | |
| 1200 | • | | • | | | | |
| 1300 | | | • | | | | |
| 1600 | • | | | | | | |



Metal bonded grinding wheels

SEGMENT

L x X x T

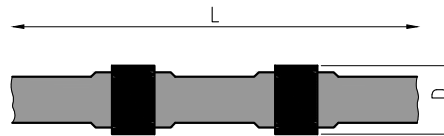


| L | X | T |
|----|----------|----|
| 24 | 3.2-10.0 | 10 |
| 40 | 3.2-10.0 | 10 |

Metal bonded grinding wheels

DIAMOND WIRE

L x D



| L m | D mm |
|--------|-------------|
| 5.2 | 8.8/10.5/11 |
| 5.7 | 8.8/10.5/11 |
| 18 | 8.8/10.5/11 |
| 20 | 8.8/10.5/11 |

Order printout sample:
Wire - granite
5.2 x 8.8





3.2

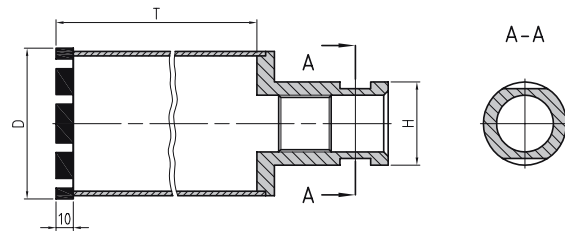
CUTTING-OUT



Metal bonded grinding wheels

DK - concrete

D x T x H

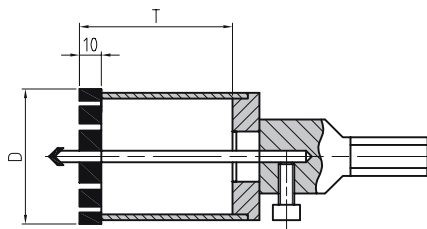


| D | T | H |
|----------|---------|-----------------|
| 19 | 300-500 | R1/2 or M31.7mm |
| 20/24/28 | | |
| 31/35/38 | | |
| 40 | | |
| 50/52 | | |
| 60/65 | | |
| 70/73/75 | | |
| 80 | | |
| 90/91/95 | | |

| D | T | H |
|---------------------|---------|-----------------|
| 100/105/110/120/130 | 300-500 | R1/2 or M31.7mm |
| 140/150/170/185/186 | | |
| 220/225/226/250/280 | | |
| 300/350 | | |
| 400 | | |
| 550 | | |
| 600 | | |

DKS - concrete

D x T



| D | T |
|-------------|----|
| 20/22/25/28 | 60 |
| 30/32/36 | |
| 50/52/55 | |
| 60/62/65 | |
| 82 | |
| 90 | |
| 120 | |
| 130 | |

Order printout sample:

DKS - concrete

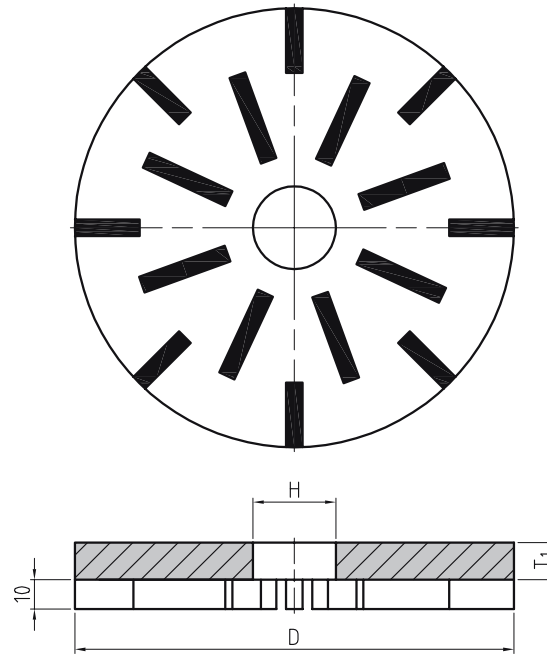
20 x 60



Metal bonded grinding wheels

DP – concrete

D x T₁ x H



| |
|---|
| Order printout sample: DP – concrete |
| 200 x 6 x 20 |

| D | T ₁ | H |
|-----|----------------|-------------|
| 200 | 3.7/6 | Custom-made |



3.4

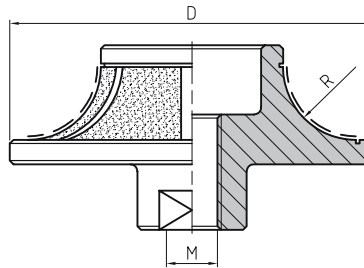
PROFILE GRINDING



Vacuum brazed grinding wheels

FR-VB/1 - stone

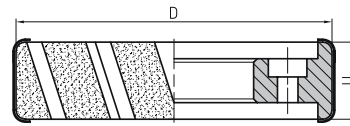
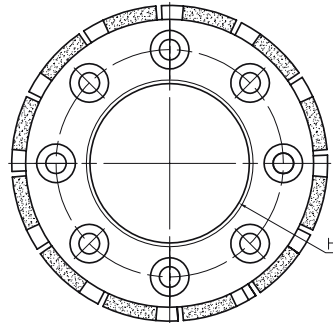
D x R x M



| D | R | M |
|-----|----|-----|
| 100 | 10 | M14 |

FR-VB/1 - stone

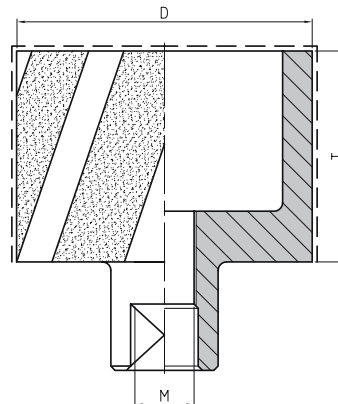
D x U x H



| D | U | H |
|----|----|----|
| 86 | 21 | 50 |

FR-VB/3 - stone

D x T x H



| D | T | H |
|----|----|-------|
| 70 | 50 | M14 |
| 70 | 50 | 22.22 |

Order printout sample:
FR-VB/3 - stone
70 x 50 x M14


Metal bonded saw blades
UNIVERSAL Professional


| Segment shape | Specification | Workpiece | Quality class | |
|-------------------------|---------------------------|--|---------------|-------------------------|
| Segment with protection | Directly sintered segment | Concrete, reinforced concrete, roof tiles, asphalt, fire clay and other abrasive materials | Professional | |
| Shape | Dimensions D x X x H | Peripheral speed (m/s) | RPM 1/min | Packaging unit Piece |
| C1S | 115 x 7 x 22.2 | 80 | 13300 | 1 |
| | 230 x 7 x 22.2 | 80 | 6650 | 1 |

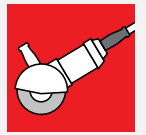
SEGMENT Standard


| Segment | Specification | Workpiece | Quality class | |
|---------|-------------------------|---|---------------|-------------------------|
| Segment | Laser welded segment | Sleek concrete, screed, asphalt, fire clay and other abrasive materials | Standard | |
| Shape | Dimensions D x X x H | Peripheral speed (m/s) | RPM 1/min | Packaging unit Piece |
| C3 | 115 x 10 x 22.2 | 80 | 13300 | 1 |
| | 125 x 10 x 22.2 | 80 | 12550 | 1 |
| | 230 x 10 x 22.2 | 80 | 6650 | 1 |

TURBO Professional


| Segment shape | Specification | Workpiece | Quality class | |
|-------------------------|---------------------------|----------------------------|---------------|-------------------------|
| Segment with protection | Directly sintered segment | Granite, marble, fire clay | Professional | |
| Shape | Dimensions D x X x H | Peripheral speed (m/s) | RPM 1/min | Packaging unit Piece |
| 1A1R - Turbo | 115 x 10 x 22.2 | 80 | 13300 | 1 |
| | 125 x 10 x 22.2 | 80 | 12550 | 1 |
| | 230 x 10 x 22.2 | 80 | 6650 | 1 |

Order printout sample:
Turbo Professional saw blade
230 x 10 x 22.2



CONTI Standard



| Segment shape | Specification | Workpiece | Quality class |
|---------------|---------------------------|---------------|---------------|
| Conti ring | Directly sintered segment | Ceramic tiles | Standard |

| Shape | Dimensions D x X x H | Peripheral speed (m/s) | RPM 1/min | Packaging unit Piece |
|-------|-------------------------|---------------------------|--------------|-------------------------|
| 1A1R | 115 x 10 x 22.2 | 80 | 13300 | 1 |
| | 125 x 10 x 22.2 | 80 | 12550 | 1 |
| | 230 x 10 x 22.2 | 80 | 6650 | 1 |

GRINDING CUPS Professional



Order printout sample:
Professional grinding cup
125 x 22.2

MANUAL GRINDING



| Segment shape | Specification | Material | Quality class |
|---------------|----------------------|----------------------|---------------|
| Segment | Laser welded segment | Concrete and granite | Professional |

| Shape | Dimensions D x H | Peripheral speed (m/s) | RPM 1/min | Packaging unit Piece |
|-------|---------------------|---------------------------|--------------|-------------------------|
| RR8 | 100 x 22.2 | 80 | 13300 | 1 |
| | 110 x 22.2 | 80 | 13900 | |
| | 115 x 22.2 | 80 | 13300 | |
| | 125 x 22.2 | 80 | 12250 | |
| | 150 x 22.2 | 80 | 10200 | |
| | 180 x 20 | 80 | 8500 | |
| | 180 x 22.2 | 80 | 8500 | |