

SWATYCOMET SA CUT-OFF

SWATYCOMET offers a wide range of excellent diamond and CBN cut-off tools



The best cut-off tools for fast cutting and making narrow grooves or slots.



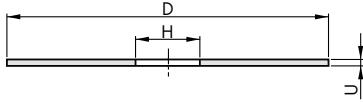
**NEW GENERATION
PRODUCTS**



SA CUT-OFF

Coreless cutting-off tools

1A1R-O
D x U x H

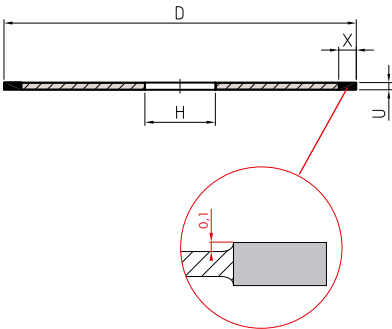


D	U	H
22	0.3 - 1.0	10
25	0.3 - 1.0	6
30	0.3 - 1.0	6 / 8
40	0.3 - 1.0	6 / 10
45	0.3 - 1.0	10
50	0.3 - 1.0	10
75	0.3 - 1.0	20 / 32
100	0.3 - 1.0	20 / 32

Thin coreless cutting-off tools 1A1R-O are mainly intended for cutting narrow grooves or slots. These cutting-off tools also enable precise cutting of special materials.

Cutting-off tools with base disc

1A1R
D x U x X x H



D	U	X	H
50	0.8 - 2.0	5	Custom-made
75	0.8 - 2.0	3 / 5	
100	0.8 - 2.0	5	
125	0.8 - 2.0	5	
150	0.8 - 2.0	5 / 8	
175	1.0 - 2.0	5 / 8	
200	1.0 - 2.0	5 / 8	
250	1.3 - 2.0	8	
300	1.3 - 2.0	8	
350	2.0 - 3.0	8	
500	3.2	6.4	

*The standard hole diameter (H) is $\varnothing 20 H7$; other hole diameters and grinding tools of other dimensions are manufactured to order.

Recommended quality of cutting tools

	Ground material	Grit type	Grit size	Bond / (hardnes)	Concentration	Type
Steels	Steels	B	35 - 151	BMRG (medium) PIMR (hard) GK (harder)	100 - 125	Coreless wheel
	Non-hardened steels	B	107 - 181	BM1R	100 - 125	Disc with core
	Tool steel			BMEG		
	High speed steel (HSS)			V80 (medium) PIMR (hard)		
Hard metals	Tungsten carbides	D	35 - 151	BM1EG (medium) MB01(harder)	50 - 100	Coreless wheel
			91 - 181	BM1EG	75 - 100	Disc with core